

HERON 10

EN

VERTICAL MAST RANGE



PLATFORM
BASKET

RAISING THE STANDARD



MADE IN ITALY



HERON 10

VERTICAL MAST RANGE

Innotative self-propelled AWP on crawlers with automatic stabilization, to allow the operations on uneven grounds, as good different option to SPIDER lifts.

HERON 10 is a **light** equipment, towable with light trailers. it is easy to use and perfect for **maintenance job, painting activity, windows cleaning, and tree care business**. Inside the building it is suitable for any job, the light weight doesn't damage even the **most delicate floor**, and so the terraces and attics.

HERON 10 is powered by **diesel engine** only for outdoor use, or available **bi-energy** with the additional 230 Vac electric motor for indoor purpose.

And for the advanced requests and for the green demand, **HERON 10 E is available with lithium battery** and a powerful recharging system that allows the use **without any kind of emission**.



HERON 10 is very compact and so able to work in the **narrowest places**. The crawlers and so the steering let the machine turn on itself. The automatic stabilization **allows the levelling on any slope**, so the user is only focusing on the operation of the upper part.

HERON 10 is equipped with **radio remote control** for easy and intuitive use, for safe loading on ramps, and in case of winch to operate it as mini-crane.





HERON 10

DIESEL version

- KUBOTA diesel engine, water cooled, with automatic accelerator.
- Automatic stabilization with 4 independent outriggers.
- Button for automatic stabilization.
- Two men basket with 230 kg capacity, light and easy to remove.
- Radio remote control with diagnostic display for basket and ground control (cable always available in case of dead battery or bad frequencies).
- Spare battery and recharging battery for radio, fitted in the machine.
- Going home button to stow the machine for transport.
- Proportional movements.
- 220/110 V plug in the basket for tools.
- Air/water high pressure pipes.
- Diagnostic display.
- Encoder monitor system for turret rotation.
- Emergency lowering system by gravity.
- Hand pump for emergency.
- Lifting points for fork lifts.
- Lifting points for cranes.



HOISTING WINCH		
Direct pull	kg	250
Quantity of Rope	m	35
Max Hoisting speed	m/min	20
Rope Diameter	mm	6
Weight	kg	65

Compliant with:

- UNI EN 13000 Cranes - Mobile Cranes;
- ISO4301-1 /2 Cranes.

Trolley designed for quick winch installation and removal.

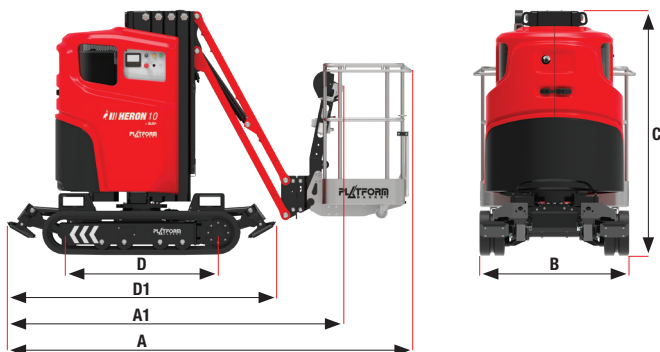
HERON 10E

ELECTRIC version

- Powered by Lithium battery 200Ah/48Vdc.
- Transmission and steering system by electric motors with 100% of torque even with slow speed.
- 4 independent outriggers to level the machine on uneven ground.
- Button for automatic stabilization.
- Two men basket with 230 kg capacity, light and easy to remove.
- Radio remote control with diagnostic display for basket and ground control (cable always available in case of dead battery or bad frequencies).
- Spare battery and recharging battery for radio, fitted in the machine.
- Going home button to stow the machine for transport.
- Proportional movements.
- 220/110V plug in the basket for tools.
- Air/water high pressure pipes.
- Diagnostic display.
- Encoder monitor system for turret rotation.
- Emergency lowering system by gravity.
- Hand pump for emergency.
- Lifting points for fork lifts.
- Lifting points for cranes.

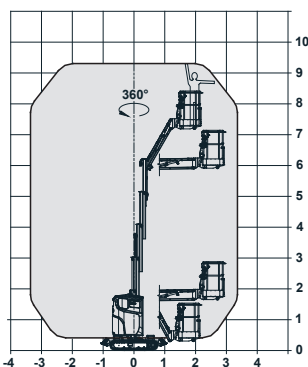


HERON 10

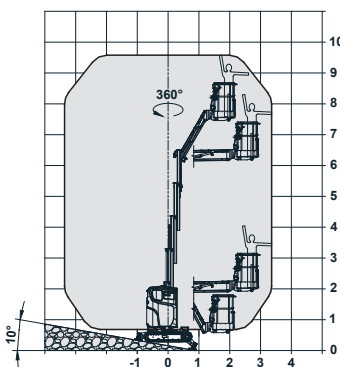


SPECIFICATIONS		STD	E
Max working height	m		9,6
Max platform height	m		7,6
Max horizontal working reach	m		3,45
Max working height at max reach	m		8,3
A - Overall length	m		3,25
A1 - Overall length without basket	m		2,71
B - Overall width	m		1,2
C - Overall height	m		1,99
D - Wheelbase	m		1,23
D1xB - Overall stabilization dimensions	m		2,15 x 1,2
Aluminium platform dimensions	m		1,2 x 0,87
Platform capacity inside	kg		230
Platform capacity outside	kg		230
Turning radius inside/outside	m		0 / 1,21
Basket rotation (optional)	°		± 70
Turret rotation	°		± 180
Max slope	degrees/%		19° (35%)
Max working tilt x/y	degrees/%		3° (5,25%)
Max tilt x/y for autostab	degrees/%		10° (18%)
Max speed stowed	Km/h		2,8
Max speed not stowed	Km/h		1
WEIGHTS		ST	E
Weight in working conditions	kg	2750	2800
Ground pressure in tracks	kg/cm ² (kPa)	1,9 (183)	-
Ground pressure on stabilizer	kg/cm ² (kPa)	2,4 (233)	-
POWER		ST	E
DIESEL ENGINE	9,9 kW / 13 HP @3600 rpm	•	-
ELECTRIC MOTOR	2,2 kW / 3 HP 230Vac/50Hz 1,5 kW / 2 HP 110Vac/60 Hz	• (optional)	-
ELECTRIC MOTOR (DRIVE)	3,5 kW / 5 HP 48 Vdc	-	•
ELECTRIC MOTOR (PUMP)	4,5 kW / 6 HP 48 Vdc	-	•
TRACTION BATTERY	48Vdc 210 Ah Lithium Ion	-	•

Working diagram on crawlers



Working diagram on stabilizers



INDOOR

- 160 kg
- 70 kg
- TOT. 230 kg
- Wind max 0 km/h
- Manual Force max. 400N

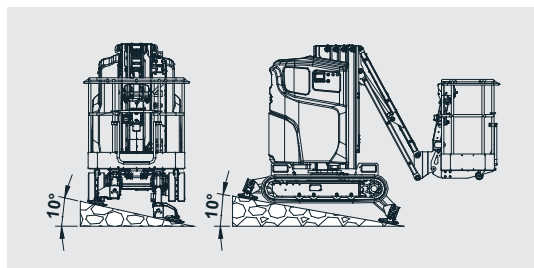
OUTDOOR

- 80 kg
- 150 kg
- TOT. 230 kg
- Wind max 45 km/h
- Manual Force max. 200N

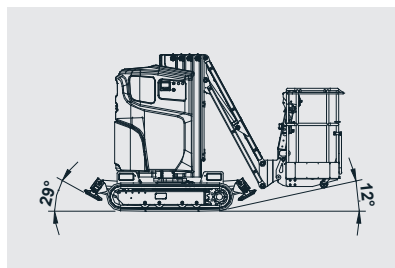
OPTIONAL:

- Single-man basket
- Pre-arrangement for winch
- Lifting winch (250 kg)
- Electric pump 12V
- Obstacles monitor system
- Man-present pedal
- PBT (Platform Basket Telematics)
- Cage rotation
- Anti-entrapment
- Anti-collision device made from conductive rubber applied to the aerial basket.
- Non-marking rubber tracks

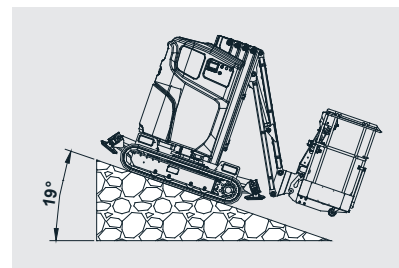
Max. tilt for selfstabilizers



Jib free when machine stowed



Max. slope 35%



PLATFORM BASKET



Via Montessori, 1 - 42028 Poggio (RE) Italy
Ph. +39 0522 967666 - Fax +39 0522 967667
E-mail: info@platformbasket.com



platformbasket.com

